

GENERAL CATALOGUE

Condensing Units

R22



cubigel[®]
compressors

R22 HMBP • 50 Hz

MODEL	DISPLACEMENT cm ³	POWER hp	MAX. AMBIENCE TEMP. T = TROPICALIZED	APPLICATION	VOLTAGE FREQUENCY	MOTOR	EXPANSION	REFRIGERATION CAPACITY								VERSION "3"					
								W W x 0.86 = kcal/h W x 3.412 = BTU/h Evaporating Temperature °C								DIMENSIONS W x L x H mm	TUBES			DESIGN	
								-25	-15	-5	5	7.2			SUCTON Inch		COMPRESSION Inch	WEIGHT Kg			
												W	W inp	A					10		
CL40TN_M	4.0	1/6	4.06	-	HMBP	220-240V 50Hz ~1	CSIR	C - V	164	260	396	570	613	296	1.0	671	325x425x235	3/8	1/4	21	3B
CL45TN_M	4.5	1/5	4.5	-	HMBP	220-240V 50Hz ~1	CSIR	C - V	171	280	427	610	655	325	1.0	716	325x425x235	3/8	1/4	21	3B
CL57TN_M	5.7	1/4	5.68	-	HMBP	220-240V 50Hz ~1	CSIR	C - V	205	341	519	739	793	394	2.02	865	325x425x235	3/8	1/4	22	3B
CL76TN_M	7.6	3/8	7.57	-	HMBP	220-240V 50Hz ~1	CSIR	C - V	326	469	689	986	1062	522	3.02	1163	340x425x270	3/8	1/4	23	3B
CL88TN_M	8.8	3/8	8.86	-	HMBP	220-240V 50Hz ~1	CSIR	C - V	348	544	816	1163	1250	620	2.99	1365	350x425x270	3/8	3/8	24	3B
CP12TN_M	12.0	1/2	12.05	-	HMBP	220-240V 50Hz ~1	CSR	C - V	422	709	1101	1597	1721	714	3.02	1885	355x510x300	3/8	3/8	27	2B
CX18TN_M	18.0	3/4	18.4	-	HBP	220-240V 50Hz ~1	CSR	C - V	-	1045	1560	2172	2305	1080	5.1	2491	450x530x340	3/8	3/8	40	1B
CS22TN_M	22.0	7/8	21.77	-	HMBP	220-240V 50Hz ~1	CSR	C - V	692	1255	1906	2644	2818	1226	6.03	3046	425x530x350	5/8	3/8	44	1B
CS26TN_M	26.0	1	25.93	-	HMBP	220-240V 50Hz ~1	CSR	C - V	934	1531	2210	2969	3147	1667	8.02	3379	430x530x350	5/8	3/8	44	1B

Green Cooling Models / See design drawing on page 68
 New Models

	Testing cycle conditions			
	CECOMAF		ASHRAE	
	LBP (A)	HMBP (C)	LBP (B)	HMBP (D)
Evaporating temperature °C	-25	5	-23.3	7.2
Condensing temperature °C	55	55	55	55
Liquid temperature °C	55	55	32	46
Suction temperature °C	32	32	32	35
Ambient temperature °C	32	32	32	35

Measurement conversion

R290
 W(A) x 1.16 = kcal/h (B)
 W(C) x 0.98 = kcal/h (D)

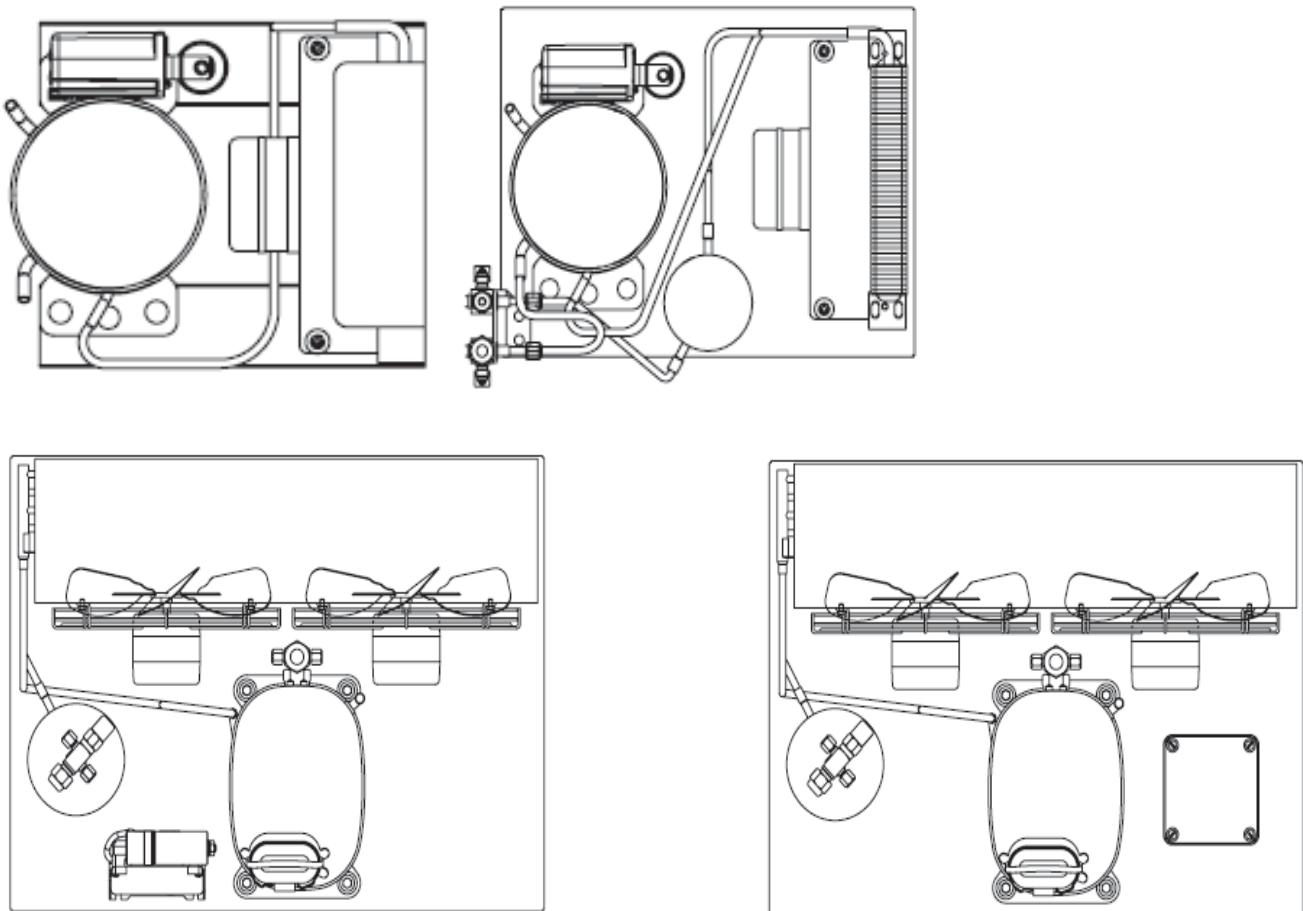
R134a
 W(A) x 1.05 = kcal/h (B)
 W(C) x 0.94 = kcal/h (D)

R600a
 W(A) x 1.05 = kcal/h (B)

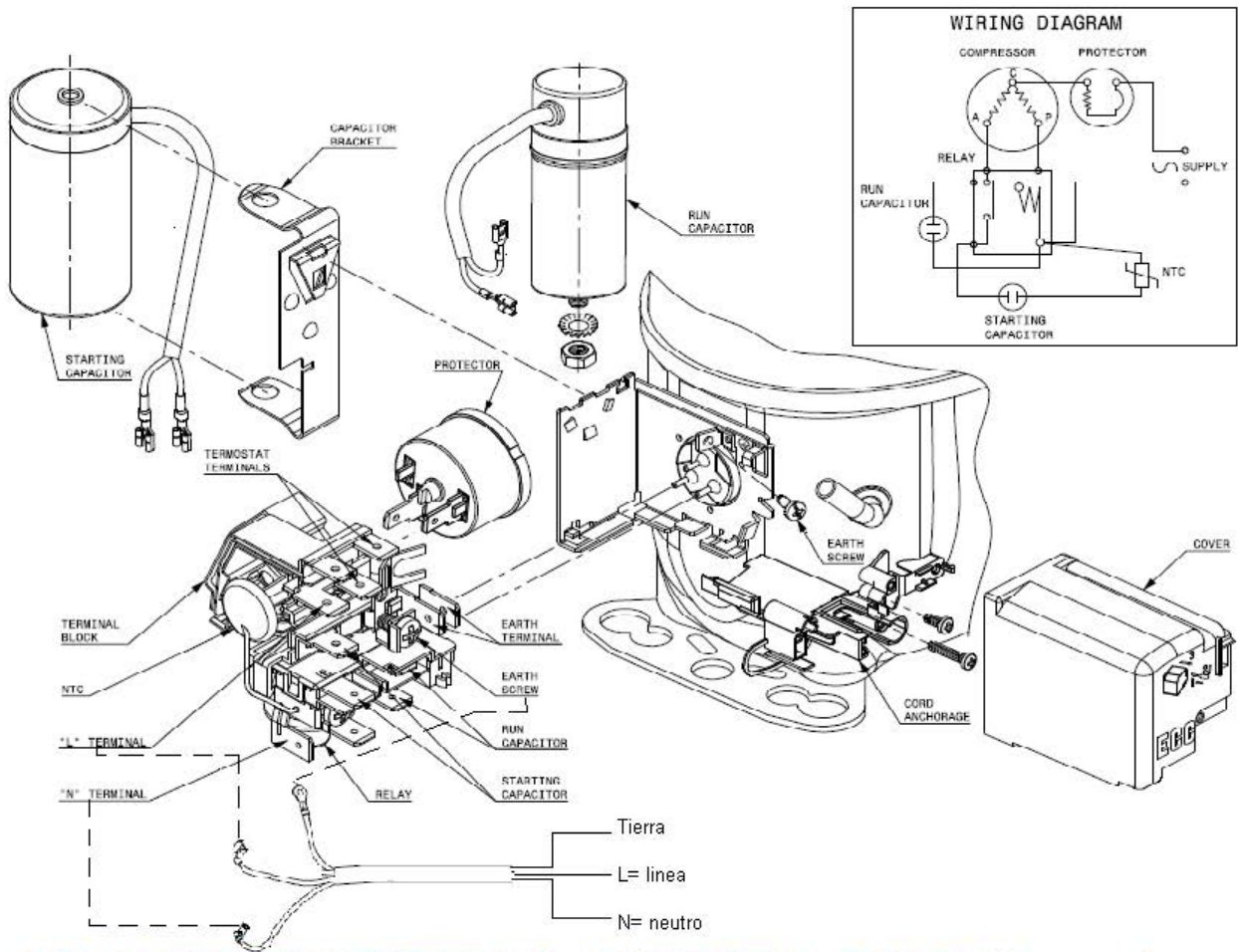
R404A
 W(A) x 1.17 = kcal/h (B)
 W(C) x 1.02 = kcal/h (D)

R22
 W(C) x 0.94 = kcal/h (D)

GS Compressor's range can be provided with tube or valve



CSR CONNECTION (CURRENT RELAY + NTC)



CSR CONNECTION (EXTERNAL CONNECTING BOX) (P, X ranges)

