



PRESSURE CONTROLS

ADJUSTABLE STEAM PRESSURE SWITCH

P48

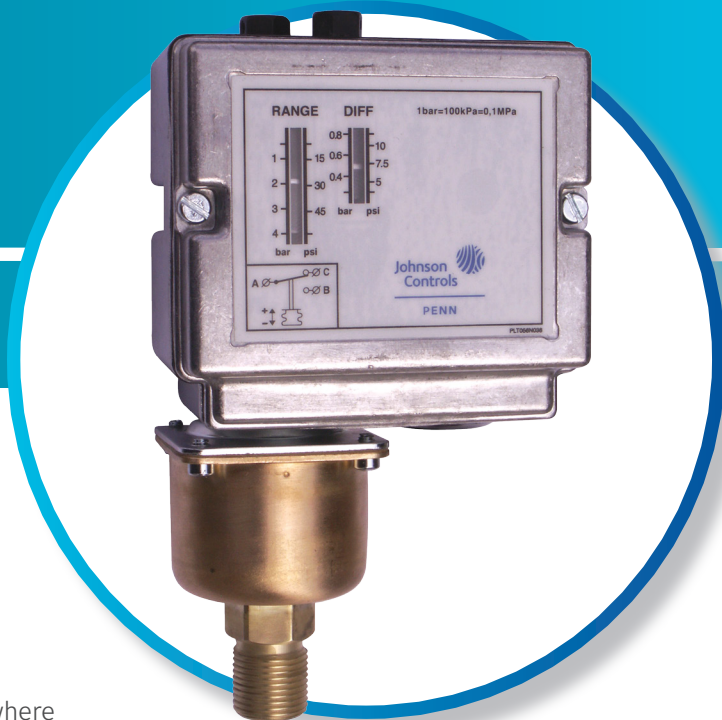
STEAM PRESSURE

The P48 series have been developed for special applications where pressure must be controlled.

All models have an adjustable differential depending on the range (*see type number selection table*).

The P48AAA-9110 and P48AAA-9120 has the power element outside the case.

All the models have phosphor bronze bellows and brass pressure connections except the P48AAA-9150. This model has a stainless steel bellows and pressure connection and is provided with a brass adapter 1/4" -18 NPT female to R3/8 male.



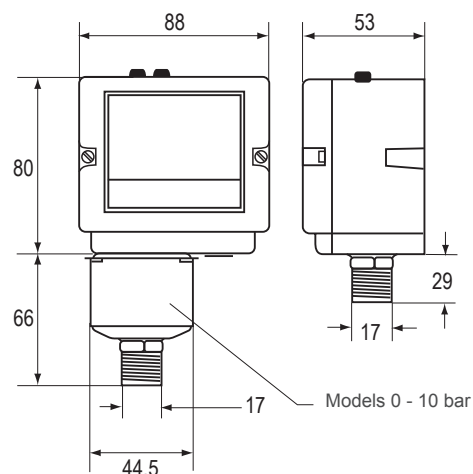
FEATURES

- Generous wiring space provided
- Splash-proof enclosure (IP54)
- SPDT contacts are provided as standard on single pressure control
- Trip-free manual reset

APPLICATION

The series P48 pressure controls are designed as operating or high/low cut-out control on steam, air or (hot) water applications. Also for non-combustible gases which are not harmful to the materials in contact with these mediums. On steam applications a steam trap is recommended.

DIMENSIONS (in mm)



P48 - ADJUSTABLE STEAM PRESSURE SWITCH



ORDERING INFORMATION

CODES	RANGE (bar)	DIFFERENTIAL (bar)	PRESSURE CONNECTION	STYLE	SWITCH ACTION	ADDITIONAL FEATURES
P48AAA-9110	0 to 1	0.16 to 0.55	G 3/8" male	29a	~16(10)A 400 V... 220 V DC, 12 W (pilot duty only) SPDT, Open High	Automatic reset
P48AAA-9120	0.2 to 4	0.25 to 0.8				
P48AAA-9130	-0.2 to 10	1 to 4.5				
P48AAA-9140	1 to 16	1.3 to 2.5				Automatic reset, stainless steel bellows
P48AAA-9150	3 to 30	3 to 12				
P48BEA-9140	4 to 16	---				Manual reset