

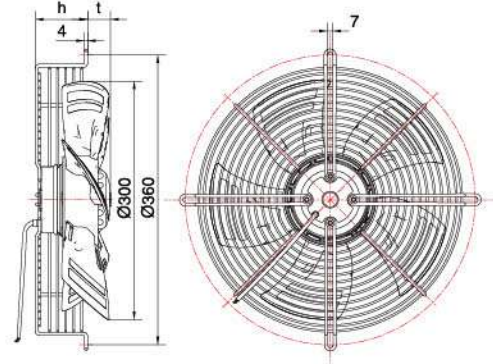
MaEr Fan Motor

Professional · Honest · Human Oriented



Ø 300 INSTALLATION ACCESSORIES 安装附件

□-360N

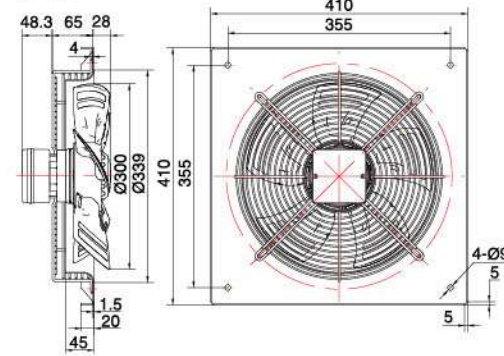


常规凹网罩 Concave grid 360N				低凹网罩 Low concave grid 360N35			
型号 MODEL	h	t	型号 MODEL	h	t		
YDWF67L35P2-360N-300	80	40	YDWF67L35P2-360N35-300	35	85		
YDWF68L35P4-360N-300	80	40	YDWF68L35P4-360N35-300	35	85		
YDWF68L35P6-360N-300	80	40	YDWF68L35P6-360N35-300	35	85		
YSWF68L35P2-360N-300	80	40	YSWF68L35P2-360N35-300	35	85		
YSWF68L35P4-360N-300	80	40	YSWF68L35P4-360N35-300	35	85		

平网罩 Flat Screen grid 360P

型号 MODEL	h	t
YDWF67L35P2-360P-300	65	30
YDWF68L35P4-360P-300	65	30
YSWF68L35P2-360P-300	65	30
YSWF68L35P4-360P-300	65	30

□-355H

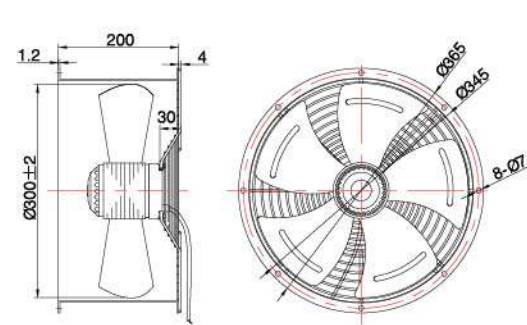


带网风圈 Wall plate 355H

型号 MODEL

YDWF67L35P2-355H-300
YDWF68L35P4-355H-300
YDWF68L35P6-355H-300
YSWF68L35P2-355H-300
YSWF68L35P4-355H-300

□-345NG



带风筒 Air duct 345NG

型号 MODEL

YDWF67L35P2-345NG-300
YDWF68L35P4-345NG-300
YDWF68L35P6-345NG-300
YSWF68L35P2-345NG-300
YSWF68L35P4-345NG-300

□-其他安装附件 Others

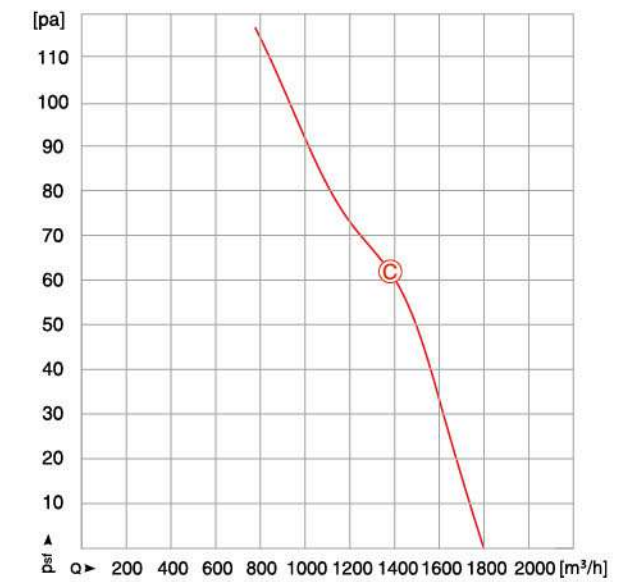
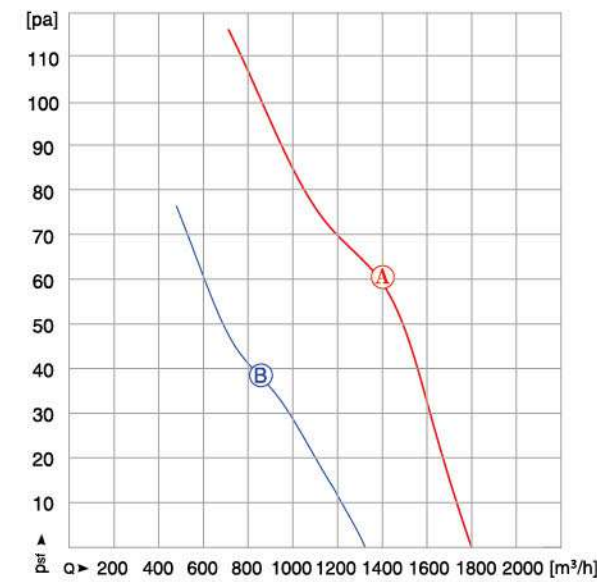
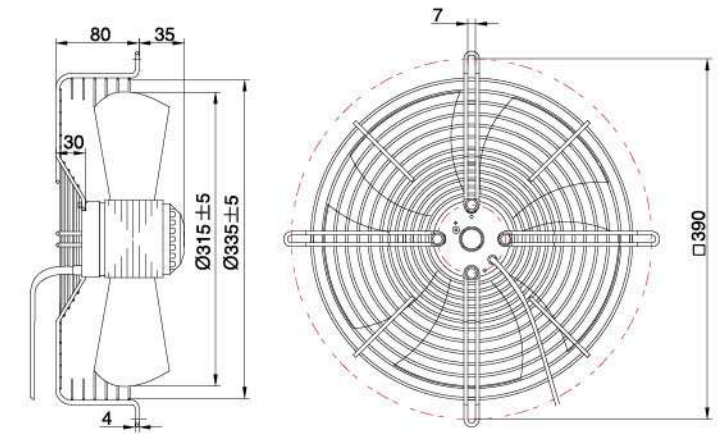
平网罩 Flat screen grid 360P				平板网罩 Flat net grid 360B				凹板网罩 Concave flat grid 360NB			
型号 MODEL	h	t	型号 MODEL	h	t	型号 MODEL	h	t	型号 MODEL	h	t
YDWF67L35P2-360P-300	65	25	YDWF67L35P2-360B-300	—	90	YDWF67L35P2-360NB-300	—	120	YDWF67L35P2-360NB-300	—	120
YDWF68L35P4-360P-300	65	25	YDWF68L35P4-360B-300	—	90	YDWF68L35P4-360NB-300	—	120	YDWF68L35P4-360NB-300	—	120
YDWF68L35P6-360P-300	65	25	YDWF68L35P6-360B-300	—	90	YDWF68L35P6-360NB-300	—	120	YDWF68L35P6-360NB-300	—	120
YSWF68L35P2-360P-300	65	25	YSWF68L35P2-360B-300	—	90	YSWF68L35P2-360NB-300	—	120	YSWF68L35P2-360NB-300	—	120
YSWF68L35P4-360P-300	65	25	YSWF68L35P4-360B-300	—	90	YSWF68L35P4-360NB-300	—	120	YSWF68L35P4-360NB-300	—	120

MaEr Fan Motor

Professional · Honest · Human Oriented



Ø 315 AC AXIAL FAN 外转子轴流风机



动压 / Dynamic pressure: $p_d = 7.62 \times 10^{-6} \times Q^2 (p_a)$

型号 Model	电压 Voltage	频率 Frequency	电容器 Capacitor	曲线 Curve	输入功率 Power	转速 RPM	电流 Current	静压 Psf	环境温度 Temp.	静压效率 η_{sf}	能效值 EFF.Grade	噪声 Noise	备注 Note
	V	Hz	$\mu F/450V$	NO.	W	r/min	A	Pa	$^{\circ}C$	%	N	dB(A)	
YDWF68L35P4-390N-315	1~220	50	3	A	90	1380	0.43	60	-40~+75	—	—	60	
YDWF68L35P6-390N-315	1~220	50	2	B	60	920	0.29	37	-40~+85	—	—	60	
YSWF68L35P4-390N-315	3~380	50	—	C	90	1380	0.30	62	-40~+80	—	—	56	

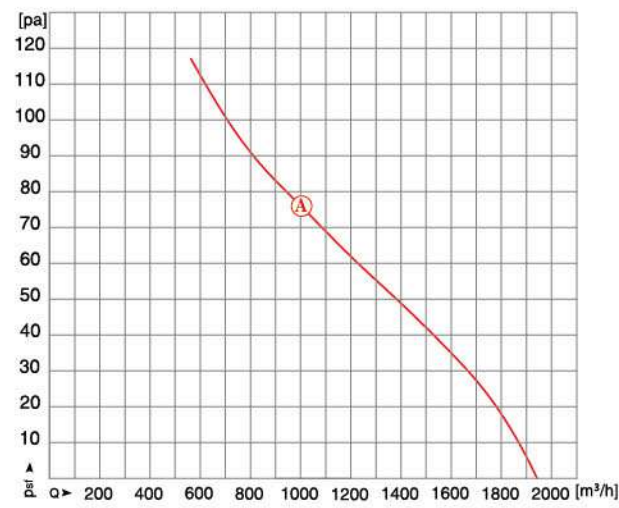
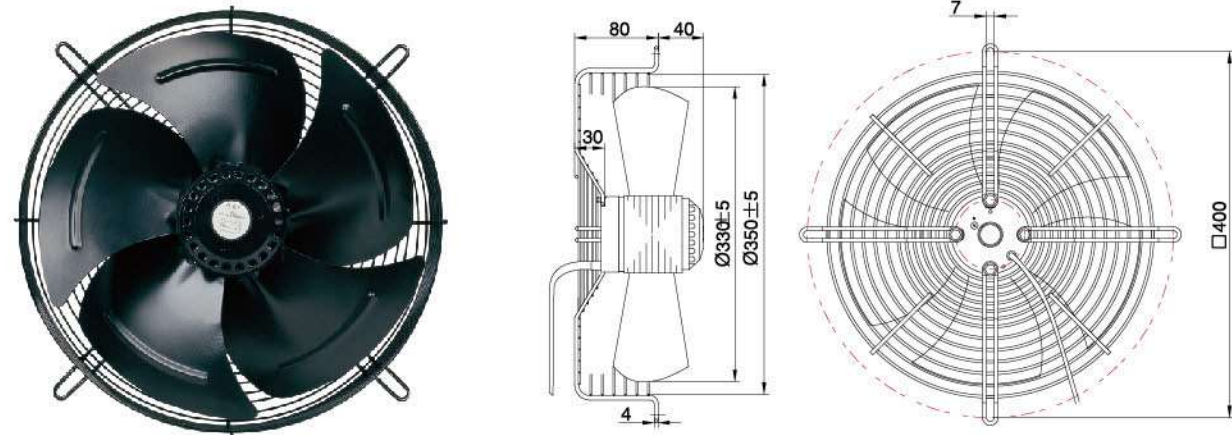
注：性能曲线在安装马尔导风圈时测得。Note: The performance curve is tested with MaEr wall plate.

MaEr Fan Motor

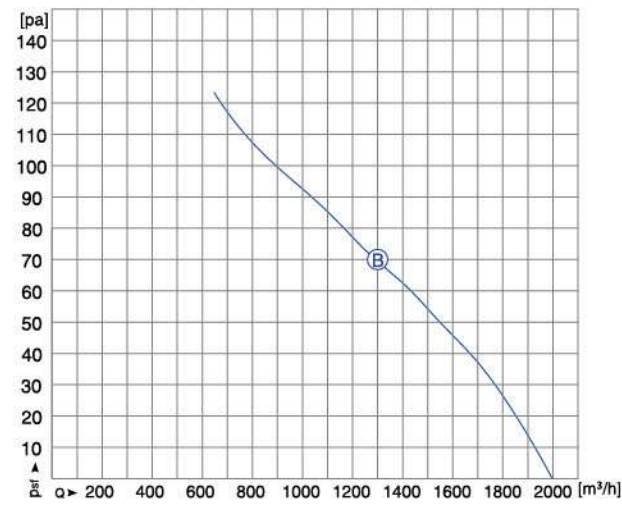
Professional · Honest · Human Oriented



Ø 330 AC AXIAL FAN 外转子轴流风机



动压 / Dynamic pressure: $p_d = 6.33 \times 10^{-6} \times Q^2 (p_a)$



型号 Model	电压 Voltage	频率 Frequency	电容器 Capacitor	曲线 Curve	输入功率 Power	转速 RPM	电流 Current	静压 Psf	环境温度 Temp.	静压效率 ηsf	能效值 EFF.Grade	噪声 Noise	备注 Note
	V	Hz	μF/450V	NO.	W	r/min	A	Pa	℃	%	N	dB/(A)	
YDWF68L40P4-400N-330	1~220	50	4	A	128	1342	0.63	76	-40~+75	—	—	60	
YSWF68L40P4-400N-330	3~380	50	—	B	113	1389	0.32	70	-40~+80	—	—	60	

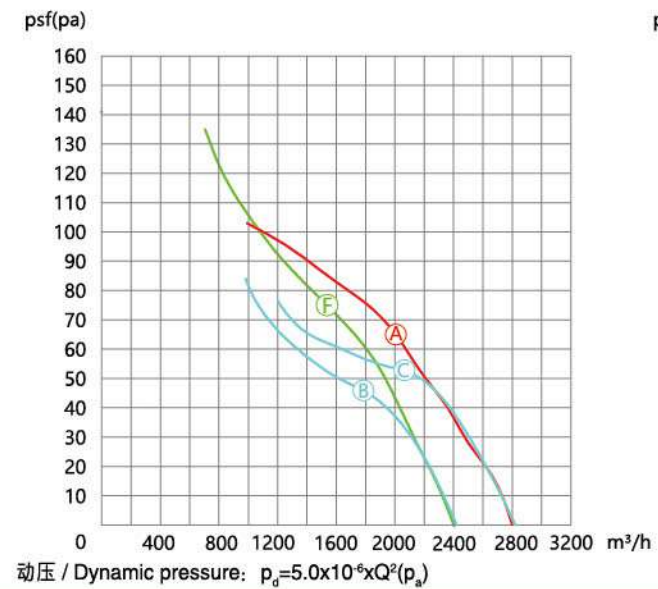
注：性能曲线在安装马尔导风圈时测得。Note: The performance curve is tested with MaEr wall plate.

MaEr Fan Motor

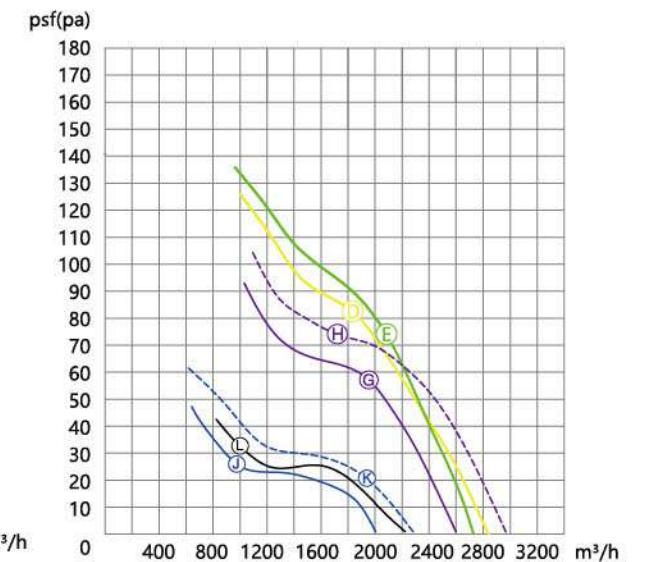
Professional · Honest · Human Oriented



Ø 350 AC AXIAL FAN 外转子轴流风机



动压 / Dynamic pressure: $p_d = 5.0 \times 10^{-6} \times Q^2 (p_a)$



型号 Model	电压 Voltage	频率 Frequency	曲线 Curve	输入功率 Power	转速 RPM	电流 Current	静压 Psf	环境温度 Temp.	静压效率 ηsf	能效值 EFF.Grade	噪声 Noise	备注 Note
	V	Hz	NO.	W	r/min	A	Pa	℃	%	N	dB/(A)	
YDWF74L34P4-422N-350	1~220	50	A	147	1353	0.67	64	-40~+80	24.46	36.1	63	
YDWF74L34P4-422N-350	1~220	50	B	118	1387	0.56	46	-40~+80	—	—	62	
YDWF74L34P4-422N-350	1~220	60	C	161	1575	0.73	52	-40~+80	—	—	66	
YSWF74L34P4-422N-350	3~380	50	D	164	1374	0.38	83	-40~+80	25.54	36.9	63	
YSWF74L34P4-422N-350	3~380	50	E	121	1397	0.28	74	-40~+80	26.72	38.8	63	
YSWF74L34P4-422N-350	3~380	60	F	160	1556	0.30	76	-40~+80	27.11	38.4	66	
YSWF74L34P4-□-350	3~380	50	G	143	1365	0.34	55	-40~+80	20.66	32.2	63	
YSWF74L34P4-□-350	3~380	60	H	193	1512	0.36	74	-40~+80	21.20	31.9	66	
YSWF74L34P6-□-350	3~380	50	J	90	922	0.25	25	-40~+80	—	—	57	
YSWF74L34P6-□-350	3~380	50	K	92	918	0.26	20	-40~+80	—	—	57	
YSWF74L34P6-□-350	3~380	60	L	107	1041	0.24	31	-40~+80	—	—	58	

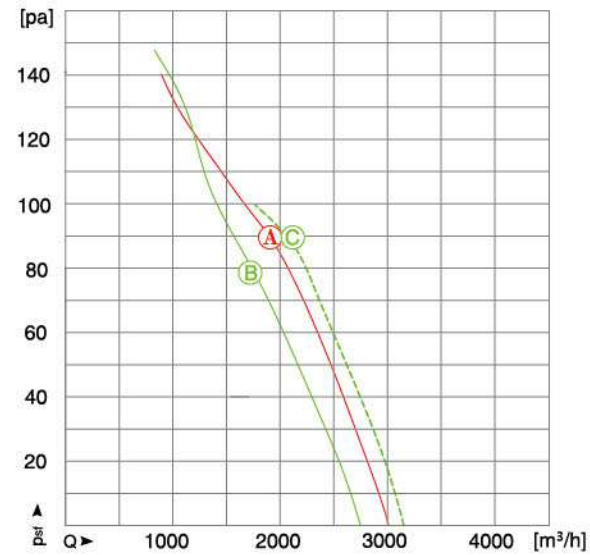
注：性能曲线在安装马尔导风圈时测得。Note: The performance curve is tested with MaEr wall plate.

MaEr Fan Motor

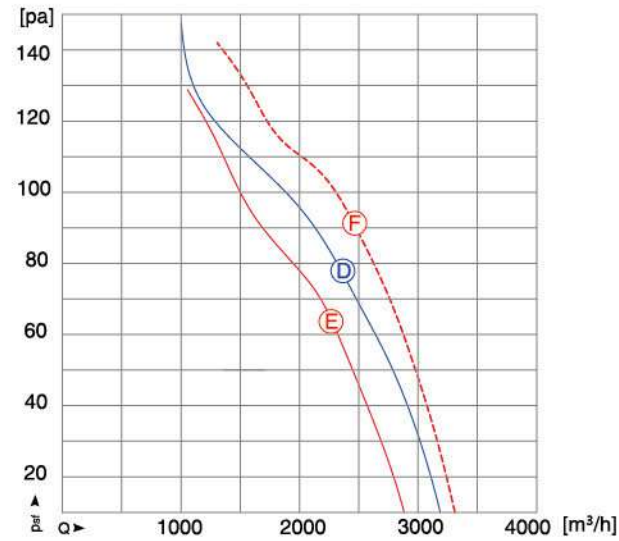
Professional · Honest · Human Oriented



Ø 350 AC AXIAL FAN 外转子轴流风机



动压 / Dynamic pressure: $p_d = 5.0 \times 10^{-6} \times Q^2 (p_a)$



MaEr Fan Motor

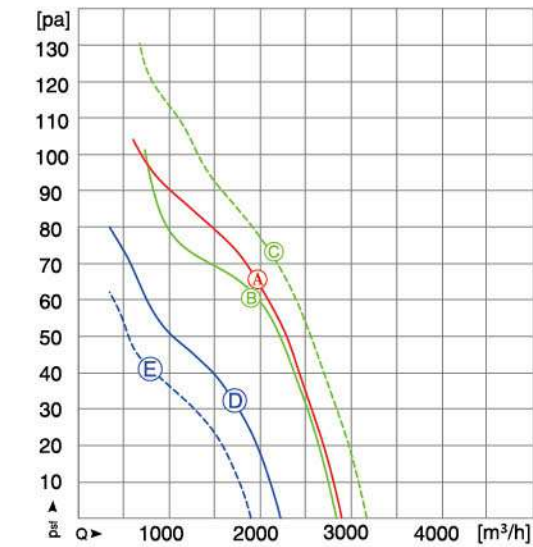
Professional · Honest · Human Oriented



Ø 350 AC AXIAL FAN 外转子轴流风机



叶轮材质: 塑料
Impeller Material: Plastic



动压 / Dynamic pressure: $p_d = 5.0 \times 10^{-6} \times Q^2 (p_a)$

型号 Model	电压 Voltage	频率 Frequency	电容器 Capacitor	曲线 Curve	输入功率 Power	转速 RPM	电流 Current	静压 Psf	环境温度 Temp.	静压效率 ηsf	能效值 EFF.Grade	噪声 Noise	备注 Note
	V	Hz	μF/450V	NO.	W	r/min	A	Pa	°C	%	N	dB(A)	
YDWF74L47P4-□-350	1~220	50	6	A	192	1381	0.80	90	-40~+70	24.87	36	64	
YDWF74L47P4-□-350	1~220	50	6	B	173	1375	0.82	79	-40~+80	22.22	32.2	63	
		60	6	C	242	1533	1.09	90	-40~+80	21.28	31.4	65	
YSWF74L47P4-□-350	3~380	50	—	D	195	1383	0.46	77	-40~+80	24.37	35.3	64	
YSWF74L47P4-□-350	3~380	50	—	E	163	1397	0.44	64	-40~+90	22.84	34.1	62	
		60	—	F	233	1584	0.45	92	-40~+90	24.52	34.8	65	

注: 性能曲线在安装马尔导风圈时测得。Note: The performance curve is tested with MaEr wall plate.

型号 Model	电压 Voltage	频率 Frequency	电容器 Capacitor	曲线 Curve	输入功率 Power	转速 RPM	电流 Current	静压 Psf	环境温度 Temp.	静压效率 ηsf	能效值 EFF.Grade	噪声 Noise	备注 Note
	V	Hz	μF/450V	NO.	W	r/min	A	Pa	°C	%	N	dB(A)	
YDWF74L34P4-□-350-PA	1~220	50	4	A	162	1329	0.67	65	-40~+70	22.07	33	62	
YSWF74L34P4-□-350-PA	3~380	50	—	B	154	1364	0.35	61	-40~+70	21.39	32.7	61	
		60	—	C	211	1501	0.38	73	-40~+70	20.57	31.1	64	
YSWF74L34P6-□-350-PA	3~380	50	—	D	83	935	0.25	32	-40~+85	—	—	56	
		60	—	E	92	1077	0.23	41	-40~+85	—	—	57	

注: 性能曲线在安装马尔导风圈时测得。Note: The performance curve is tested with MaEr wall plate.